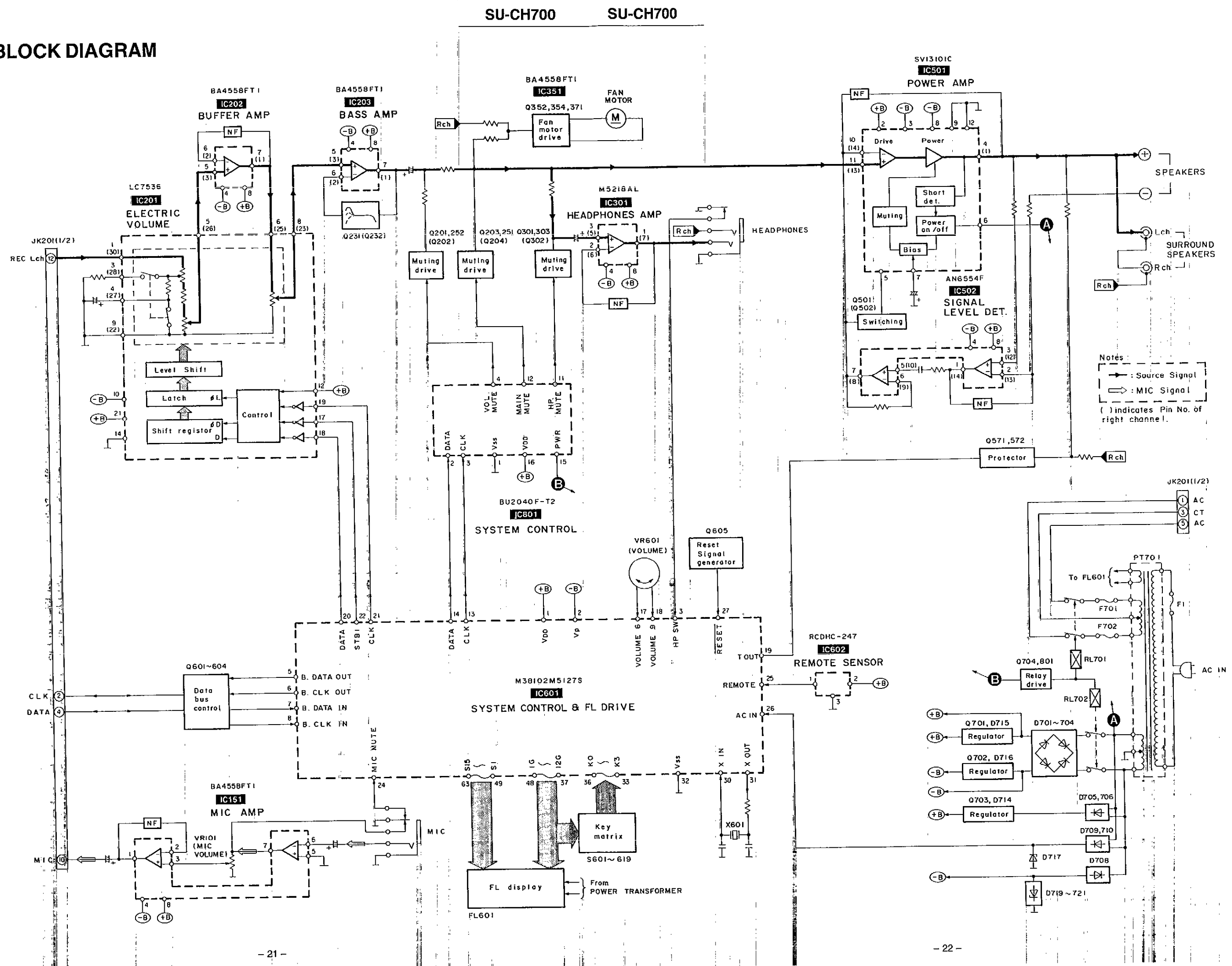


■ BLOCK DIAGRAM



■ FUNCTION OF IC TERMINALS

● IC601 (M38102M5127S)

Pin No.	Terminal Name	I/O	Function
1	V _{DD}	I	Power supply (+5)
2	-VP	I	Pull down voltage input
3	HPSW	I	Headphone output control signal input
4	AN IN	I	Back-up power input
5	B. DATA OUT	O	Data base signal output
6	B. CLK OUT	O	
7	B. DATA IN	I	Data base signal input
8	B. CLK IN	I	
9	REAR VR b	I	Level encoder volume control signal input (Connect to V _{DD} , Not used)
10	REAR VR a	I	
11	S. BASS	O	Not used
12	PLSTART	I/O	Phone mode select signal input/output
13	CLK	O	Clock signal output for IC801 (BU2040F-T2)
14	DATA	O	Data signal output for IC801 (BU2040F-T2)
15	CENTER VR b	I	Level encoder volume control signal input (Connect to V _{DD} , Not used)
16	CENTER VR a	I	
17	MAIN VR b	I	Level encoder volume control signal input
18	MAIN VR a	I	
19	T OUT	I/O	Clock signal monitor input/output (131.072 kHz)
20	VOL DATA	O	PMW control signal output for electronic volume (IC201 LC7536)
21	VOL CLK	O	PMW clock signal output for electronic volume (IC201 LC7536)
22	VOL STB1	O	PMW strobe signal output for electronic volume (IC201 LC7536)
23	VOL STB2	O	
24	MIC MUTE	I	Mic muting signal input
25	REMOTE	I	Remote control receiving signal input

Pin No.	Terminal Name	I/O	Function
26	AC IN	I	50/60 Hz x 2 AC voltage signal input
27	RESET	I	Reset signal input
28	XC IN	I	Not used (open)
29	XC OUT	O	
30	X IN	I	Ceramic Oscillator connection (4.194304 MHz)
31	X OUT	O	
32	V _{SS}	I	GND
33~36	K3~K0	I	Key control signal input
37~41	12G~8G	O	FL digit signal output
42~46	7G~3G	O	Key control signal and FL digit signal output
47, 48	2G, 1G	O	FL digit signal output
49~63	S1~S15	O	FL segment signal output
64	NC	-	Not used (open)

Ref. No.	Part No.	Part Name & Description	Remarks
		SWITCH(ES)	
S801	EVQ21405R	S. W. CLOCK SET	
S802	EVQ21405R	S. W. SELECT DOWN	
S603	EVQ21405R	S. W. SELECT UP	
S604	EVQ21405R	S. W. TIMER SET	
S605	EVQ21405R	S. W. CANCEL	
S606	EVQ21405R	S. W. STANDBY	
S607	EVQ21405R	S. W. RECALL	
S608	EVQ21405R	S. W. BALANCE (L)	
S609	EVQ21405R	S. W. BALANCE (R)	
S610	EVQ21405R	S. W. BS	
S611	EVQ21405R	S. W. TUNER	
S612	EVQ21405R	S. W. CD	
S613	EVQ21405R	S. W. DAT	
S614	EVQ21405R	S. W. TAPE	
S615	EVQ21405R	S. W. VDP	
S616	EVQ21405R	S. W. VCR	
S618	EVQ21405R	S. W. LOUDNESS	
S619	EVQ21405R	S. W. POWER	
S701	ES37263	SW. VOLTAGE SELECTOR	△ (GC)
		CONNECTOR	
J703-1, 2	RJS1A66D4	SOCKET (4P)	
J101A	RJT057W004-1	CONNECTOR (4P)	
J301A	RJT057W004-1	CONNECTOR (4P)	
J501A	RJT057W007-1	CONNECTOR (7P)	
J601A	RJU003K008M1	SOCKET (8P)	
J602A	RJU003K008M1	SOCKET (8P)	
J603A	RJU003K010M1	SOCKET (10P)	
J604A	SJT30549BB1	CONNECTOR (5P)	
J605A	SJT30549BB1	CONNECTOR (5P)	
J606A	SJT30549BB1	CONNECTOR (5P)	
J701A	RJT057W009-1	CONNECTOR (9P)	
J702A	RJT057W007-1	CONNECTOR (7P)	
J704A	RJT057W004-1	CONNECTOR (4P)	
J101B	RJU057W004	SOCKET (4P)	
J301B	RJU057W004	SOCKET (4P)	
J501B	RJU057W007	SOCKET (7P)	
J601B	RJT003K008M1	CONNECTOR (8P)	
J602B	RJT003K008M1	CONNECTOR (8P)	
J603B	RJT003K010M1	CONNECTOR (10P)	
J604B	SJS50581BB	SOCKET (5P)	
J605B	SJS50581BB	SOCKET (5P)	
J606B	SJS50581BB	SOCKET (5P)	
J701B	RJU057W009	SOCKET (9P)	
J702B	RJU057W007	SOCKET (7P)	
J704B	RJU057W004	SOCKET (4P)	
CN701-708	RJS1A1101T1	SOCKET (1P)	

Ref. No.	Part No.	Part Name & Description	Remarks
		EARTH TERMINAL(S)	
E501	SNE1004-1	GND PLATE	
E701	SNE1004-1	GND PLATE	
		FUSE HOLDER(S)	
FC1-6	EYF52BC	FUSE HOLDER	△
FC7, 8	EYF52BC	FUSE HOLDER	△ (GC)
		RELAY (S)	
RL701, 702	SSY134	RELAY	△
		JACK(S)	
		MIC JACK	
JK101	RJ65MA02	MIC JACK	
JK201	RJT055K015-1	CONNECTOR (15P)	
JK301	RJD7S2YA-C	HEADPHONE JACK	
JK351	SJT3213	FAN MOTOR CONNECTOR	
JK501	RJR0054	SPEAKER TERMINAL	
JK502	SJF3068-6N	SURROUND SP. TERMINAL	△ (E, EB, EG, GC)
JK701	SJS9236	AC INLET	△ (E, EB, EG, GC)
JK701	SJSD16	AC INLET	△ (CN)
JK702	SJS702-1	CONNECTOR (3P)	(E, EB, EG, GN)

Notes : * Capacity values are in microfarads (uF) unless specified otherwise, P=Pico-farads (pF) F=Farads (F)
 * Resistance values are in ohms, unless specified otherwise, 1K=1,000 (OHM) . 1M=1,000K (OHM)

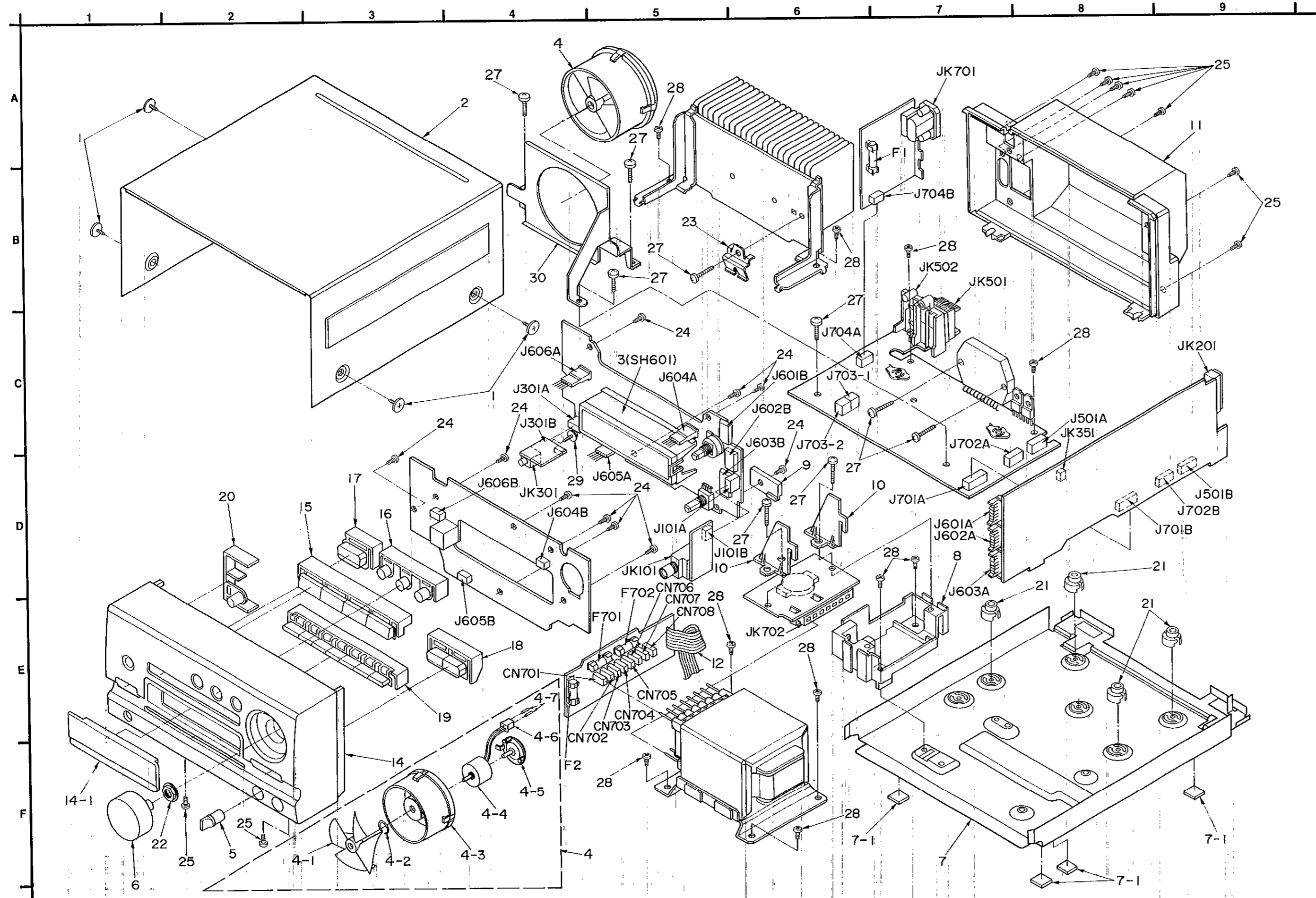
Ref. No.	Part No.	Values & Remarks
		RESISTORS
R151	ERDS2TJ473	1/4W 47K
R152	ERDS2TJ332	1/4W 3.3K
R153	ERDS2TJ104	1/4W 100K
R154	ERDS2TJ102	1/4W 1K
R155	ERDS2TJ474	1/4W 470K
R156	ERDS2TJ123	1/4W 12K
R198	ERDS2TJ473	1/4W 47K
R199	ERDS2TJ102	1/4W 1K
R201, 202	ERDS2TJ222	1/4W 2.2K
R203, 204	ERDS2TJ104	1/4W 100K
R205, 206	ERDS2TJ474	1/4W 470K
R207, 208	ERDS2TJ563	1/4W 56K
R209, 210	ERDS2TJ153	1/4W 15K
R211, 212	ERDS2TJ222	1/4W 2.2K
R213, 214	ERDS2TJ224T	1/4W 220K
R215, 216	ERDS2TJ123	1/4W 12K
R217, 218	ERDS2TJ102	1/4W 1K
R219, 220	ERDS2TJ331	1/4W 330
R221, 222	ERDS2TJ105T	1/4W 1M
R223, 224	ERDS2TJ222	1/4W 2.2K
R233, 234	ERDS2TJ1R0	1/4W 1
R235, 236	ERDS2TJ122	1/4W 1.2K
R237, 238	ERDS2TJ473	1/4W 47K
R239, 240	ERDS2TJ123	1/4W 12K
R251-254	ERDS2TJ102	1/4W 1K
R255	ERDS2TJ334	1/4W 330K
R256	ERDS2TJ105T	1/4W 1M
R257	ERDS2TJ334	1/4W 330K
R258	ERDS2TJ105T	1/4W 1M
R259	ERDS2TJ152	1/4W 1.5K
R260	ERDS2TJ392T	1/4W 3.9K
R281	ERDS2TJ102	1/4W 1K
R282	ERDS2TJ561	1/4W 560
R291, 292	ERDS2TJ104	1/4W 100K
R293, 294	ERDS2TJ103	1/4W 10K
R301, 302	ERDS2TJ562	1/4W 5.6K
R303-306	ERDS2TJ563	1/4W 56K
R307, 308	ERDS2TJ562	1/4W 5.6K
R309-312	ERDS2EJ121	1/4W 120
R313, 314	ERDS2TJ102	1/4W 1K
R315	ERDS2TJ334	1/4W 330K
R316	ERDS2TJ105T	1/4W 1M
R351	ERDS2TJ563	1/4W 56K
R352	ERDS2TJ184T	1/4W 180K
R353	ERDS2TJ334	1/4W 330K
R354	ERDS2TJ102	1/4W 1K

Ref. No.	Part No.	Values & Remarks
R355	ERDS2TJ564	1/4W 560K
R356	ERDS2TJ332	1/4W 3.3K
R357	ERDS1FVJ390T	1/2W 39
R358	ERDS2TJ220T	1/4W 22
R371	ERDS2TJ103	1/4W 10K
R372	ERDS2TJ823T	1/4W 82K
R373	ERDS2TJ222	1/4W 2.2K
R374	ERDS2TJ393	1/4W 39K
R375	ERDS2TJ153	1/4W 15K
R398	ERDS2TJ332	1/4W 3.3K
R399	ERDS2TJ154	1/4W 150K
R501, 502	ERDS2TJ222	1/4W 2.2K
R503-506	ERDS2TJ563	1/4W 56K
R507, 508	ERDS2TJ562	1/4W 5.6K
R509, 510	ERDS2TJ182	1/4W 1.8K
R511	ERDS2TJ334	1/4W 330K
R512	ERDS2TJ154	1/4W 150K △
R513	ERDS2TJ684	1/4W 680K △
R514	ERD25FVJ470	1/4W 47 △
R515, 516	FRDS1FVJ100T	1/2W 10 △
R517, 518	ERD25FVJ100T	1/4W 10 △
R519, 520	ERDS2TJ563	1/4W 56K
R521, 522	ERDS2TJ101	1/4W 100
R523, 524	ERD2EXKR10V	2W 0.1
R525, 526	ERDS2TJ563	1/4W 56K
R527, 528	ERDS2TJ104	1/4W 100K
R529, 530	ERDS2TJ102	1/4W 1K
R531-534	ERDS2TJ224T	1/4W 220K
R535, 536	ERDS2TJ52T	1/4W 7.5K
R537, 538	ERDS2TJ393	1/4W 39K
R539, 540	ERDS2TJ103	1/4W 10K
R543	ERDS2TJ103	1/4W 10K
R571	ERDS2TJ823T	1/4W 82K
R572	ERDS2TJ124T	1/4W 120K
R573	ERDS2TJ563	1/4W 56K
R581, 582	ERDS2TJ224T	1/4W 220K
R583, 584	ERDS2TJ223	1/4W 22K
R585, 586	ERDS2TJ103	1/4W 10K
R601	ERDS2TJ223	1/4W 22K
R602-604	ERDS2TJ393	1/4W 39K
R605	ERDS2TJ223	1/4W 22K
R606-608	ERDS2TJ393	1/4W 39K
R609-612	ERDS2TJ100	1/4W 10
R613, 614	ERDS2TJ151	1/4W 150
R615	ERDS2TJ2R2T	1/4W 2.2
R616-619	ERDS2TJ104	1/4W 100K
R620	ERDS2TJ221	1/4W 220
R621	ERDS2TJ104	1/4W 100K
R622, 623	ERDS2TJ223	1/4W 22K

Ref. No.	Part No.	Values & Remarks
R624	ERDS2TJ393	1/4W 39K
R625	ERDS2TJ564	1/4W 560K
R626-629	ERDS2TJ223	1/4W 22K
R630	ERDS2TJ103	1/4W 10K
R631	ERDS2TJ332	1/4W 3.3K
R632	ERDS2TJ822	1/4W 8.2K
R633, 634	ERDS2TJ223	1/4W 22K
R635	ERDS2TJ224T	1/4W 220K
R636	ERDS2TJ104	1/4W 100K
R637	ERDS2TJ102	1/4W 1K
R639	ERDS2TJ101	1/4W 100
R660-665	ERDS2TJ102	1/4W 1K
R697	ERDS2TJ102	1/4W 1K
R698	ERDS2TJ332	1/4W 3.3K
R699	ERDS2TJ102	1/4W 1K
R701, 702	ERD2FCVJ4R7T	1/4W 4.7 △
R703, 704	ERDS2TJ103	1/4W 10K
R705, 706	ERDS1FVJ391T	1/2W 390 △
R707	ERDS2TJ680T	1/4W 68
R708	ERDS2TJ562	1/4W 5.6K
R709, 710	ERDS1FVJ391T	1/2W 390 △
R711, 712	ERDS1FVJ331T	1/2W 330
R713	ERD2FCVJ4R7T	1/4W 4.7 △
R714	ERDS1FVJ221T	1/2W 220 △
R715	ERDS2TJ153	1/4W 15K
R716	ERDS2TJ472	1/4W 4.7K
R717	ERDS2TJ103	1/4W 10K
R718	ERDS2TJ221	1/4W 220
R723	ERD25FVJ4R7T	1/4W 4.7 △
R799	ERDS2TJ103	1/4W 10K
R801	ERDS2TJ392T	1/4W 3.9K
R803, 804	ERDS2TJ103	1/4W 10K
R805	ERDS2TJ562	1/4W 5.6K
R807	ERDS2TJ103	1/4W 10K
R808	ERDS2TJ392T	1/4W 3.9K
R809, 810	ERDS2TJ272T	1/4W 2.7K
R811	ERDS2TJ100	1/4W 10
R812	ERDS2TJ332	1/4W 3.3K
R813	ERDS2TJ103	1/4W 10K
R904	ERDS2TJ102	1/4W 1K
		CAPACITORS
C101, 102	ECBT1E223ZF	25V 0.022U
C103-106	ECBT1H102KB5	50V 1000P
C151	ECEA1CKA100B	16V 10U
C152	ECBT1H181KB5	50V 180P
C153	ECEA1HKA3R3B	50V 3.3U
C154	ECEA1CKA100B	16V 10U

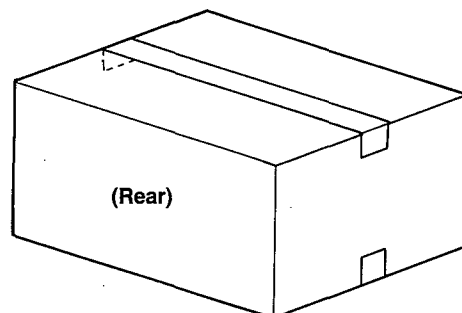
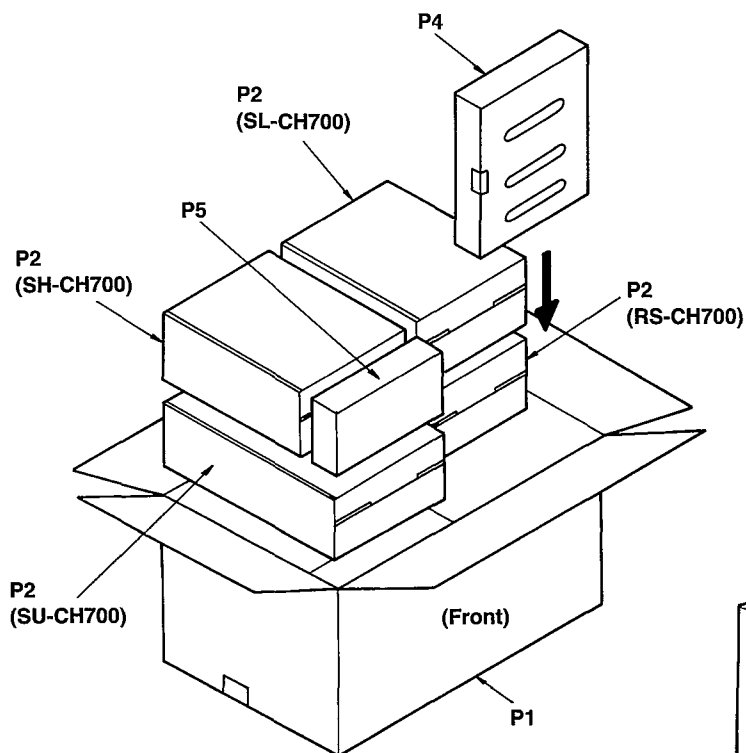
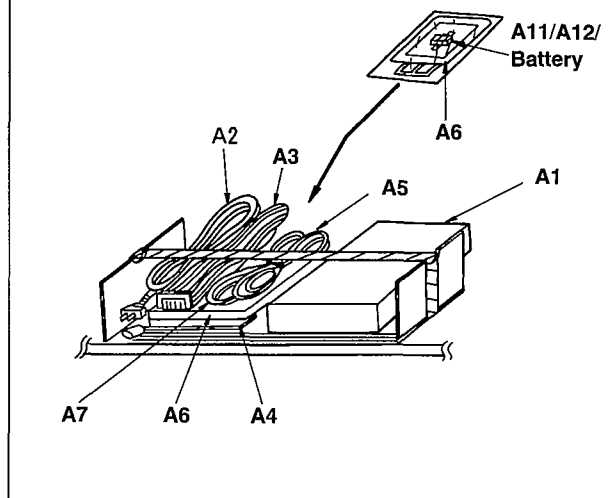
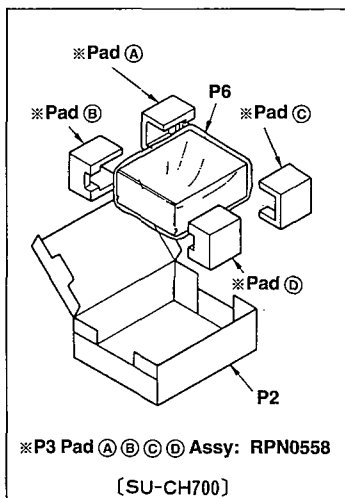
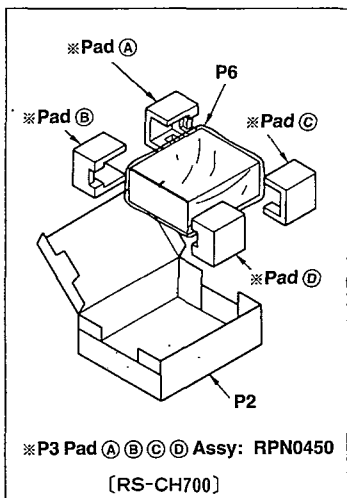
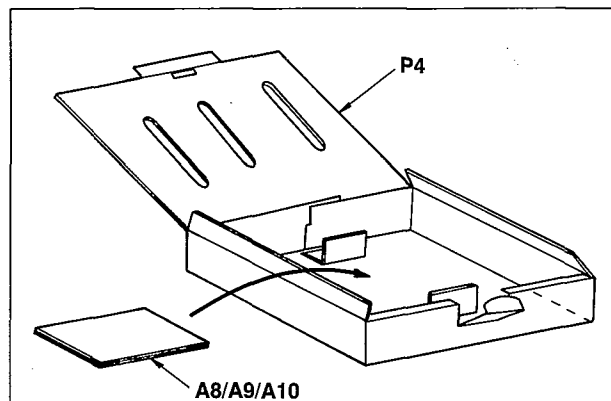
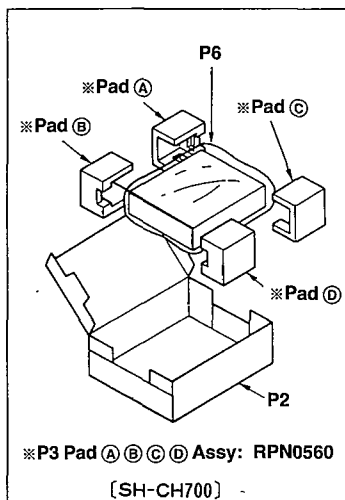
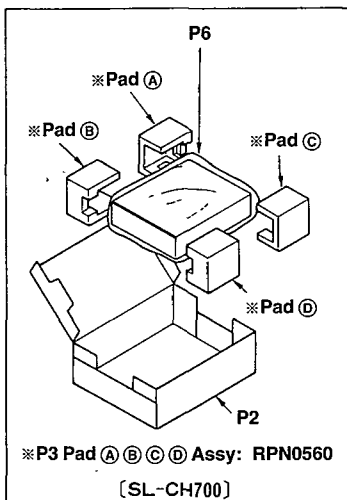
Ref. No.	Part No.	Values & Remarks
C155	ECBT1H221KB5	50V 220P
C156	ECEA1HKA3R3B	50V 3.3U
C157	ECBT1H221KB5	50V 220P
C159	ECBT1H102KB5	50V 1000P
C181, 182	ECBT1E103ZF	25V 0.01U
C198, 199	ECBT1H221KB5	50V 220P
C201, 202	ECBT1H101KB5	50V 100P
C203, 204	ECEA1HKA3R3B	50V 0.33U
C205, 206	ECEA1HKA3R3B	50V 3.3U
C207, 208	ECBT1H820KB5	50V 82P
C209, 210	ECEA1HKA3R3B	50V 0.33U
C211, 212	ECBT1H101KB5	50V 100P
C213, 214	ECEA1HKA3R3B	50V 3.3U
C215-218	ECBT1H101KB5	50V 100P
C219, 220	ECEA1CKA100B	16V 10U
C223, 224	ECEA1HKA15B	50V 0.15U
C231-234	ECQV1H334JZ3	50V 0.33U
C251	ECEA1CKA330B	16V 33U
C252	ECEA1CKA100B	16V 10U
C281-287	ECBT1E103ZF	25V 0.01U
C301, 302	ECEA1HKA3R3B	50V 3.3U
C303, 304	ECBT1H101KB5	50V 100P
C305, 306	ECBT1H330J5	50V 33P
C307, 308	ECEA1HKA3R3B	50V 3.3U
C309	ECEA1HKA100B	50V 1U
C351	ECEA1CKA100B	16V 10U
C353	ECEA1HKA3R3B	50V 3.3U
C371	ECEA0JKA221B	6.3V 220U
C381, 382	ECBT1E103ZF	25V 0.01U
C501, 502	ECA1HAP3R3B	50V 3.3U
C503, 504	ECBT1H331KB5	50V 330P
C505, 506	ECBT1H100J5	50V 10P
C507, 508	ECBT1H561KB5	50V 560P
C509, 510	ECA1HAP3R3B	50V 3.3U
C511, 512	ECBT1H821KB5	50V 820P
C513	ECA1HAP330B	50V 33U
C514	ECA2AAP100B	100V 10U
C515, 516	ECBT1E223ZF	25V 0.022U
C521-526	ECBT0J223MS5	6.3V 0.022U
C527, 528	ECEA1HKA3R3B	50V 3.3U
C529, 530	ECBT1C103MS5	

■ CABINET PARTS LOCATION



Ref. No.	Part No.	Part Name & Description	Remarks	Ref. No.	Part No.	Part Name & Description	Remarks
		CABINET PARTS		P2	RPG1070	PACKING CASE (DECK)	
				P2	RPG1071	PACKING CASE (CD/PROCESSOR)	
				P3	RPN0558	PAD (AMPLIFIER)	
				P3	RPN0450	PAD (DECK)	
				P3	RPN0560	PAD (CD/PROCESSOR)	
				P4	RPOF0029	ACCESSORY BOX	
				P5	RPQ0194	SPACER	
				P6	XZB45X50A01Z	PROTECTION COVER	
						ACCESSORIES	
1	RHD30007	SCREW		A1	RAK-SC514W	REMOTE CONTROLLER	
2	RKMD105C-K	CABINET		A1-1	RRK0020-K	BATTERY COVER	
3	RKMD153	HOLDER		A2	RJA0019-1K	POWER CORD, AC	△ (E, EG)
4	SYE1128-2	FAN ASS'Y		A2	SJA173	POWER CORD, AC	△ (GN)
4-1	SHE232	FAN		A2	SJA193	POWER CORD, AC	△ (EB)
4-2	SUS271	SPRING		A2	RJA0004	POWER CORD, AC	△ (GC)
4-3	SHE233	CASE		A3	REXD402	FLAT CABLE	
4-4	MDN-4RB4MRC	MOTOR		A4	SJP2281	OPTICAL CABLE	
4-5	SHE234	CASE COVER		A5	SNXS257M	SPEAKE CORD	
4-6	SJSS215	SOCKET (2P)		A6	SPB1163T	AM LOOP ANTENNA	
4-7	SJT783	TERMINAL		A6-1	SMA233-1M	ANTENNA HOLDER	
5	RCW0105-K	KNOB, MIC		A6-2	XTN3+10AFZ	SCREW	
6	RCW0136-K	KNOB, MAIN VOLUME		A7	RSAD007	FM ANTENNA	(E, EB, EG)
7	RFKJUCH900GC	BOTTOM BOARD ASS'Y	(GC)	A7	RSAD006	FM ANTENNA	(GC, GN)
7	RFKJUCH700NK	BOTTOM BOARD ASS'Y	(E, EB, EG, GN)	12	RWJ1808110QQ	FLAT CABLE (8P), J703	
7-1	RKAD043	FOOT		14	RFKJUCH700EK	FRONT PANEL ASS'Y	
8	RMN0154	HOLDER		14-1	RKMD186-G	FL. PANEL	
9	RMN0155	HOLDER		A9	RQCB0169	SERVICENTOR LIST	
10	RMN0158	HOLDER		A10	RFKSJUCH700EK	INST. MANUAL	(E)
11	RFKJUCH700GC	BACK GRILL ASS'Y	(GC)	A10	RQT1359-B	INST. MANUAL	(EB, GN)
11	RFKJUCH700EK	BACK GRILL ASS'Y	(E, EG)	A10	RQT1360-D	INST. MANUAL	(EG)
11	RFKJUCH700EB	BACK GRILL ASS'Y	(EB, GN)	A10	RQT1367-G	INST. MANUAL	(GC)
12	RWJ1808110QQ	FLAT CABLE (8P), J703		A11	SJP9009	ATTACHMENT PLUG	(EB)
14	RFKJUCH700EK	FRONT PANEL ASS'Y		A12	SJP9215	AC PLUG ADAPTOR	△ (GC)
14-1	RKMD186-G	FL. PANEL				PACKING MATERIALS	
15	RGU0680A-K	BUTTON, SELECTOR		P1	RPG1119	PACKING CASE (SYSTEM)	(E)
16	RGU0681A-K	BUTTON, DIGITAL		P1	RPG1146	PACKING CASE (SYSTEM)	(GN)
17	RGU0682-K	BUTTON, POWER		P1	RPG1123	PACKING CASE (SYSTEM)	(EB)
18	RGU0683-K	BUTTON, BALANCE		P1	RPG1124	PACKING CASE (SYSTEM)	(EG)
19	RGU0685-K	BUTTON, TIMER		P1	RPG1147	PACKING CASE (SYSTEM)	(GC)
20	RGU0686-K	BUTTON, LOUDNESS		P2	RPG1069	PACKING (AMPLIFIER)	
21	SHE185-2	P. C. B. SPACER					
22	SNE4021-1	NUT					
23	SUS894-1	SPRING					
24	XTB326+8J	SCREW					
25	XTB33+8JFZ1	SCREW					
27	XTB3+16JFZ	SCREW					
28	XTB3+8JFZ	SCREW					
29	XTWS3+8T	SCREW					
30	RMN0169	ANGLE					

PACKAGING



1654